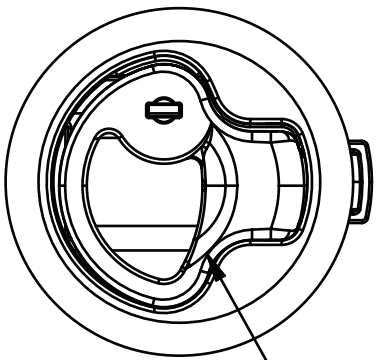
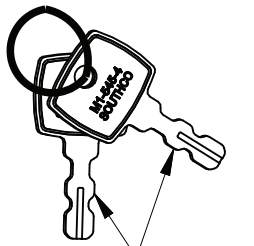


M1-4D-F



LOCKING HANDLE



KEYS

DOOR THICKNESS	MOUNTING BRACKET HEIGHT	MOUNTING BRACKET SCREW LENGTH
2 TO 7	15.1	16

www.allegiscorp.com 1-866-378-7550			MATERIAL / FINISH : Stainless Steel		
REV. : Rev. 1	SCALE : 1 : 1	DATE : 9-23-2024	DESCRIPTION : Push-to-Close Latch	DRAWING NO. : m1-41-8	