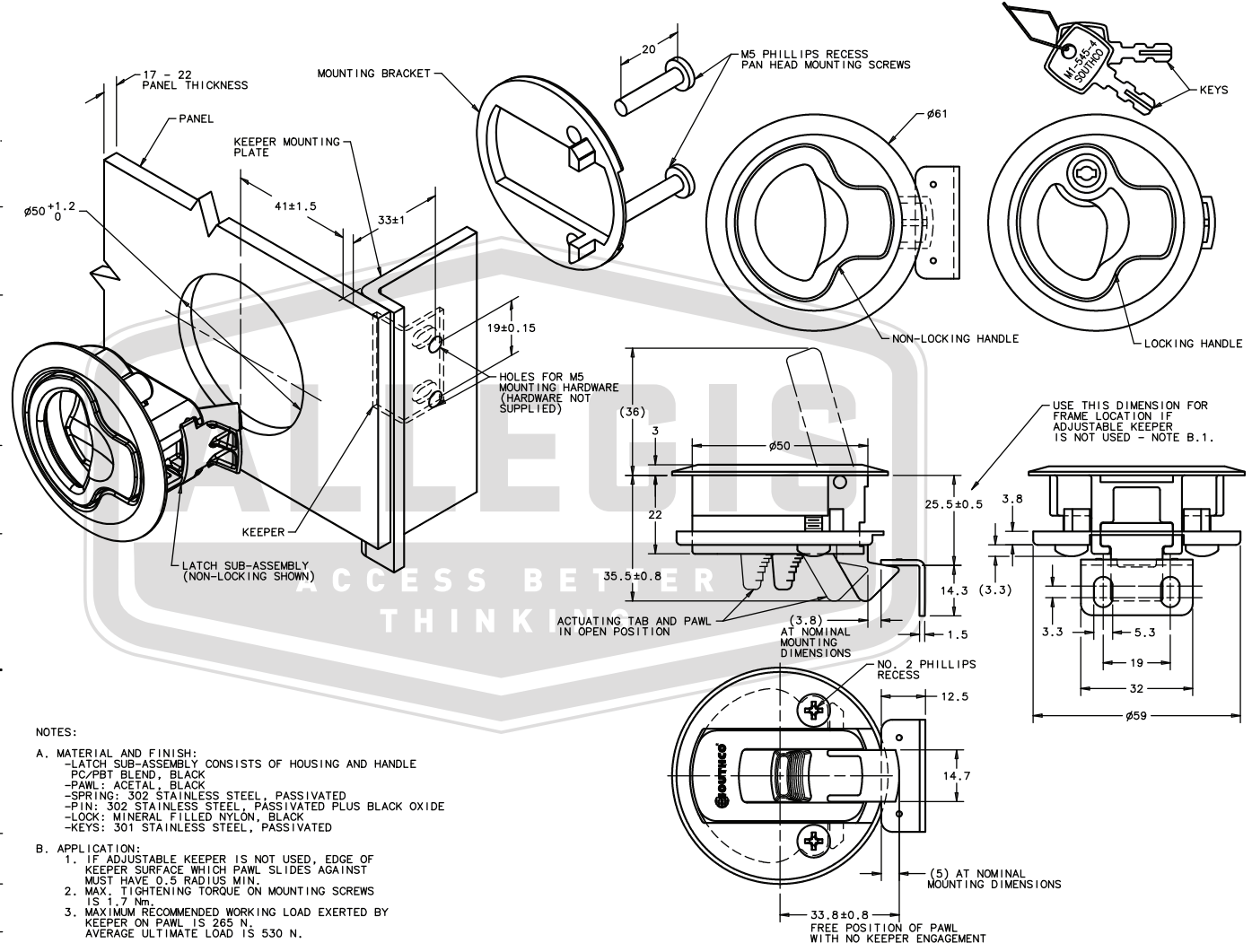


REV.	DATE	DRAWN	REVISION	ITEM	PART NUMBER	MATERIAL	FINISH	REMARKS
G	12/02/2012	RELEZ/DLH	FRN: P2002-0935	ASSEMBLY	M1-44			LOCKABLE
H	10/04/2014	IND/TAH/PRN	FRN: P2004-0402	LATCH SUB-ASSEMBLY	M1-64			NON-LOCKING
				LATCH SUB-ASSEMBLY		PC/PBT BLEND	SEE NOTE A	
				MOUNTING BRACKET		304 STAINLESS STEEL	BLACK	
				KEEPER		300 SERIES STAINLESS STEEL	PASSIVATED	
				MOUNTING SCREWS (2)			PASSIVATED	



NOTES:

- A. MATERIAL AND FINISH:
 -LATCH SUB-ASSEMBLY CONSISTS OF HOUSING AND HANDLE
 -PC/PBT BLEND, BLACK
 -PAWL: ACETAL, BLACK
 -SPRING: 302 STAINLESS STEEL, PASSIVATED
 -PIN: 302 STAINLESS STEEL, PASSIVATED PLUS BLACK OXIDE
 -LOCK: MINERAL FILLED NYLON, BLACK
 -KEYS: 301 STAINLESS STEEL, PASSIVATED
- B. APPLICATION:
 1. IF ADJUSTABLE KEEPER IS NOT USED, EDGE OF KEEPER SURFACE WHICH PAWL SLIDES AGAINST MUST HAVE 0.5 RADIUS MIN.
 2. MAX. TIGHTENING TORQUE ON MOUNTING SCREWS IS 1.7 Nm.
 3. MAXIMUM RECOMMENDED WORKING LOAD EXERTED BY KEEPER ON PAWL IS 265 N. AVERAGE ULTIMATE LOAD IS 530 N.

ALLEGIS	1-866-378-7550
MATERIAL: Plastic	DRAWING NO. : M1-64
FINISH: Natural	
REV.: 1:1	DATE: 5/30/2019