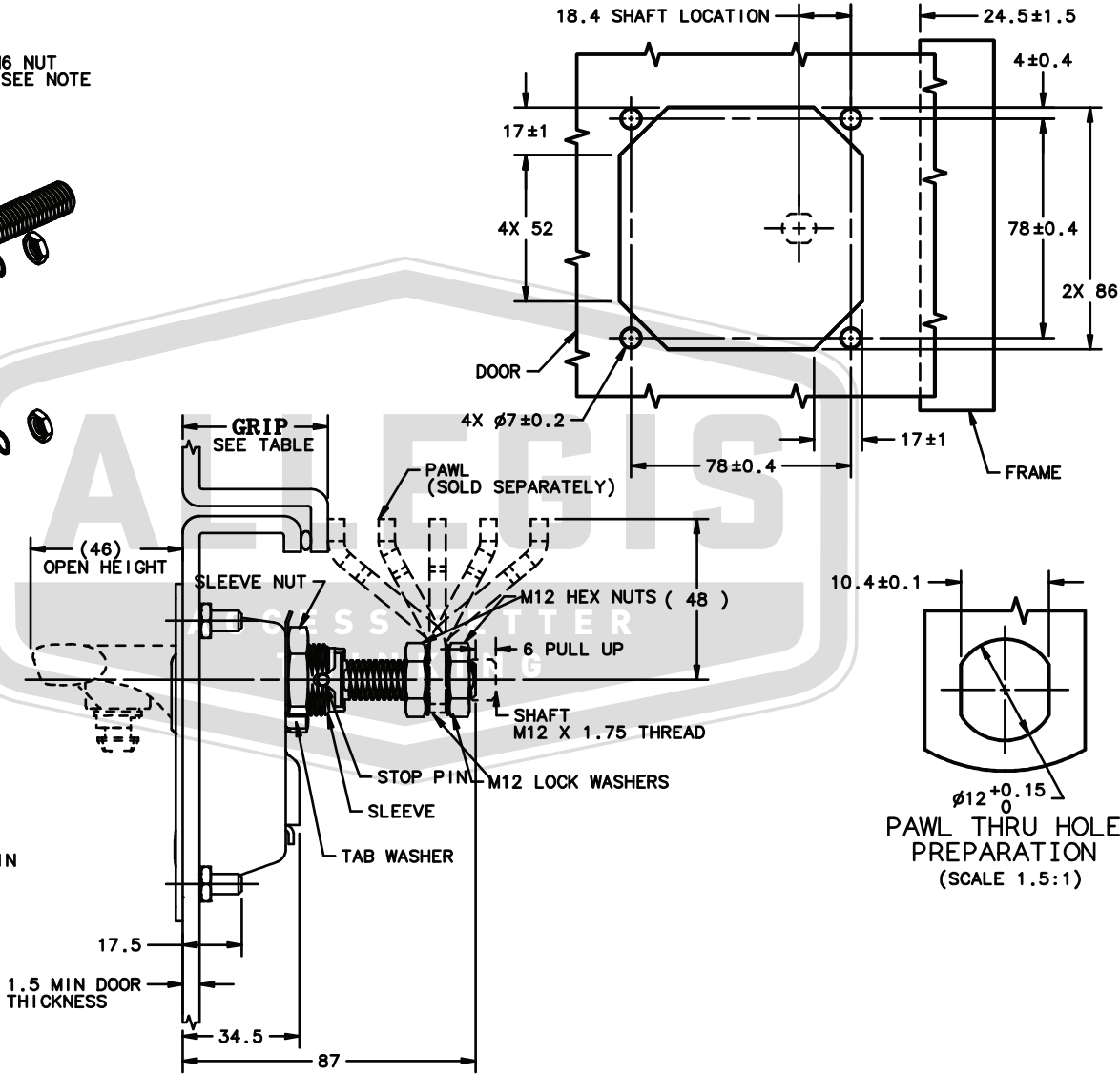
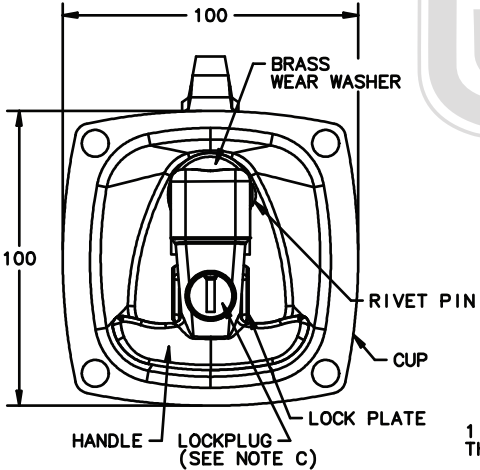
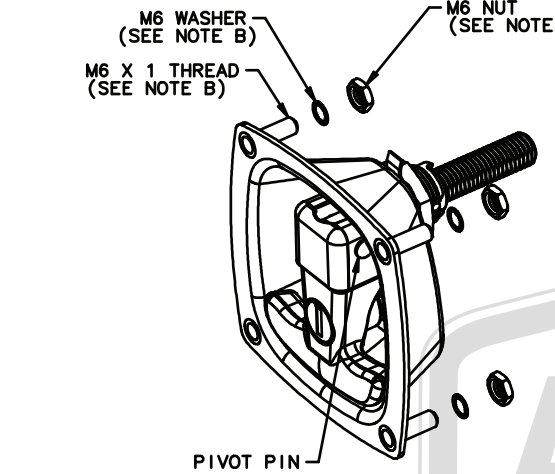


PANEL PREPARATION



<p>www.allegiscorp.com 1-866-378-7550</p>		<p>MATERIAL / FINISH: Black powder coated Steel</p>	
REV.:	SCALE:	DATE:	DESCRIPTION:
Rev. 1	1:1	9-23-2024	Compression Latch
			DRAWING NO.:
			N2-2-301-01-5