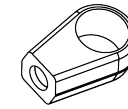
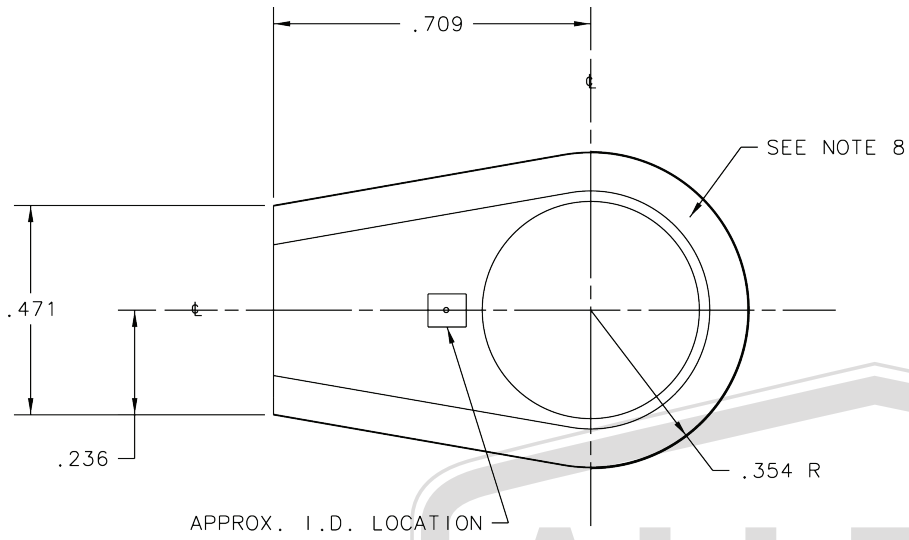


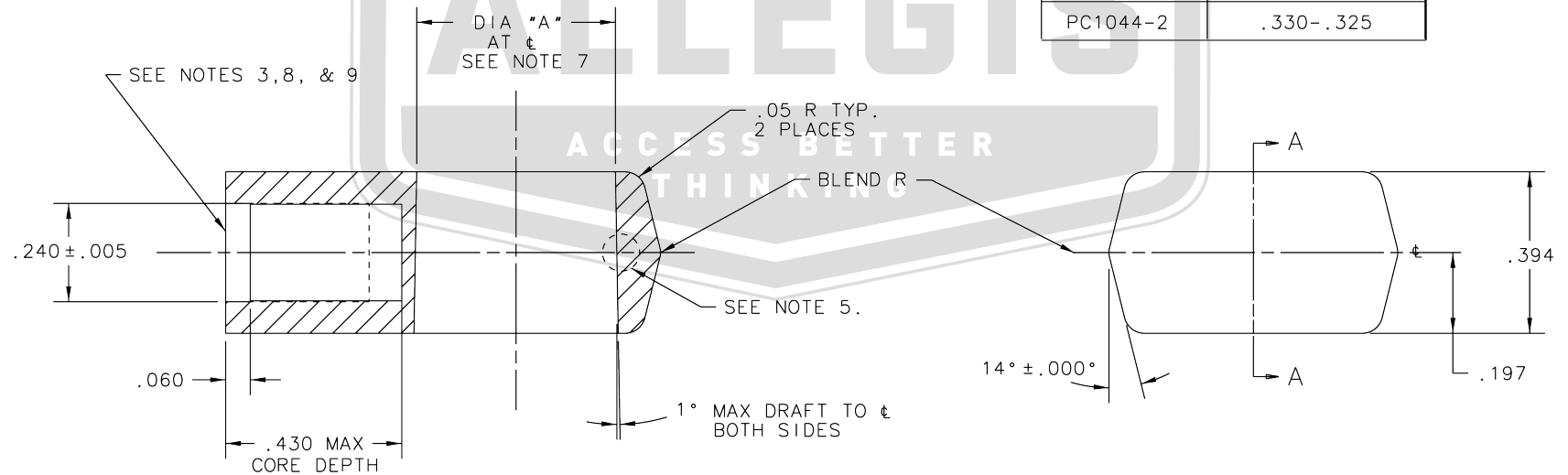
APPROVAL - CUSTOMER NAME & SIGNATURE

DATE



ACTUAL SIZE

PART NO.	DIA "A"
PC1044	.515-.510
PC1044-1	.410-.405
PC1044-2	.330-.325



SECTION A-A

**ALLEGIS**

1-866-378-7550

MATERIAL:

DRAWING NO.:

PC 1044-1

FINISH:

REV.:

1:1

DATE:

6/17/2019