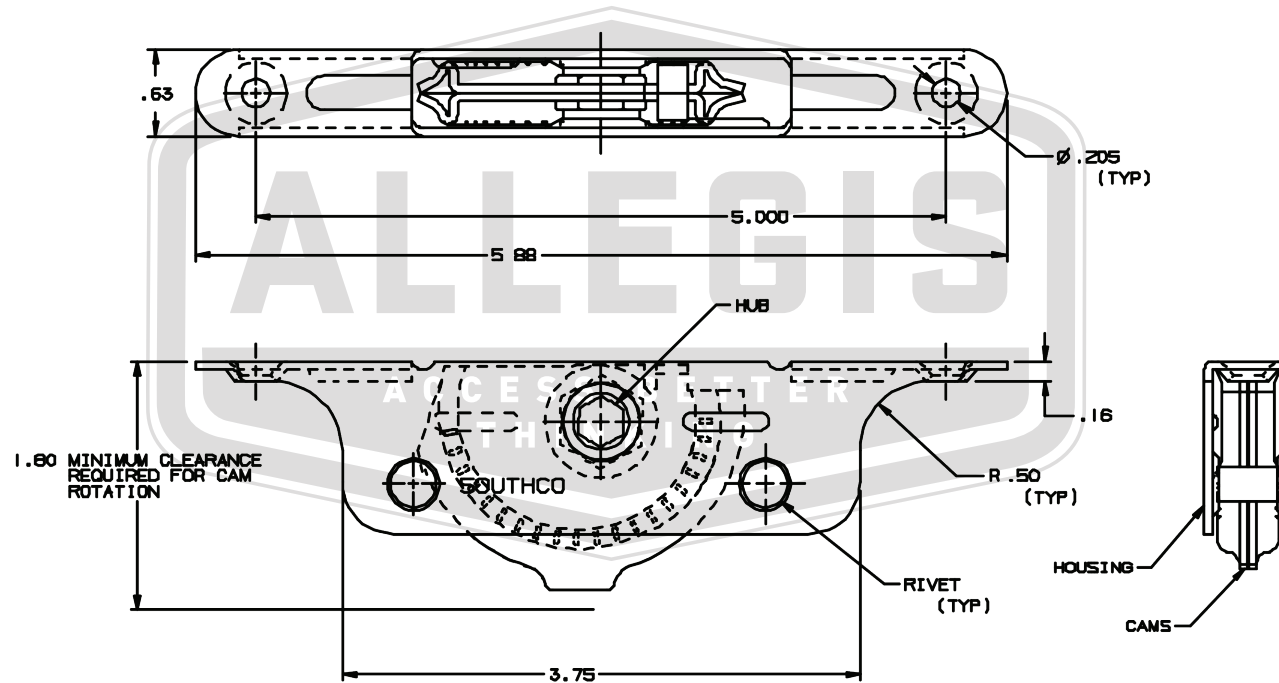


APPROVAL - CUSTOMER NAME & SIGNATURE

DATE

REV.	DATE	BY-CHKD	REVISIONS	ASSY. PART No.	COMPONENT	MATERIAL	FINISH
				R2-0267-02			
					HUB	12L14 STEEL	SEE NOTE "A"
					CAM FEMALE	1020 STEEL	SEE NOTE "A"
					CAM MALE	1020 STEEL	SEE NOTE "A"
					RIVET	1018 OR 1023 STL.	SEE NOTE "A"
					HOUSING	1020 STEEL	SEE NOTE "A"

NOTE "A": ZINC PLATE PLUS BRIGHT CHROMATE DIP.



ALL DIMENSIONS ARE IN INCHES.  
ALL DIMENSIONS WITHOUT TOLERANCES ARE FOR REFERENCE ONLY.  
THIRD ANGLE PROJECTION

<b>ALLEGIS</b>		1-866-378-7550
MATERIAL:	Steel	DRAWING NO. : R2-0267-02
FINISH:	Zinc Plate, bright chromate	
REV.:	1:1	DATE: 5/30/2019