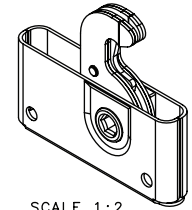
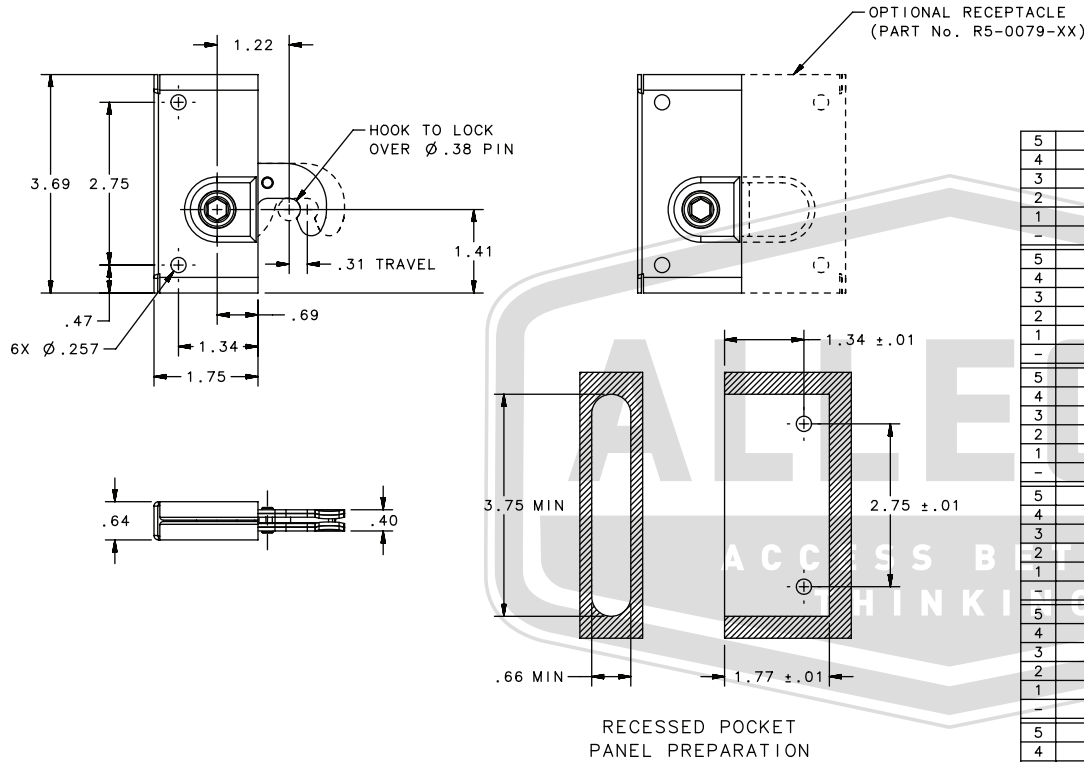


APPROVAL - CUSTOMER NAME & SIGNATURE

DATE



SCALE 1:2



5	-	1	PIN	410 STAINLESS STEEL	PASSIVATED
4	-	4	HOOKS	4130 STEEL, HARDENED	ZINC PLATE, BRIGHT CHROMATE PLUS SEALER
3	-	1	TRIGGER	1020 STEEL	ZINC PLATE, BRIGHT CHROMATE PLUS SEALER
2	-	1	CAM	POWDER METAL STEEL	ZINC PLATE PLUS BRIGHT CHROMATE
1	-	1	HOUSING	1008-1010 STEEL	ZINC PLATE, BRIGHT CHROMATE PLUS SEALER
-	R5-0074-94	-	ASSEMBLY	-	-
5	-	1	PIN	410 STAINLESS STEEL	PASSIVATED
4	-	4	HOOKS	4130 STEEL, HARDENED	ZINC NICKEL ALLOY PLUS YELLOW CHROMATE
3	-	1	TRIGGER	1020 STEEL	ZINC NICKEL ALLOY PLUS YELLOW CHROMATE
2	-	1	CAM	POWDER METAL STEEL	ZINC PLATE PLUS BRIGHT CHROMATE
1	-	1	HOUSING	1008-1010 STEEL	ZINC NICKEL ALLOY PLUS YELLOW CHROMATE
-	R5-0074-77	-	ASSEMBLY	-	-
5	-	1	PIN	410 STAINLESS STEEL	PASSIVATED
4	-	4	HOOKS	304 STAINLESS STEEL	PASSIVATED
3	-	1	TRIGGER	304 STAINLESS STEEL	PASSIVATED
2	-	1	CAM	304 STAINLESS STEEL	PASSIVATED
1	-	1	HOUSING	304 STAINLESS STEEL	PASSIVATED
-	R5-0074-27	-	ASSEMBLY	-	-
5	-	1	PIN	410 STAINLESS STEEL	PASSIVATED
4	-	4	HOOKS	4130 STEEL, HARDENED	ZINC PLATE PLUS YELLOW CHROMATE
3	-	1	TRIGGER	1020 STEEL	ZINC PLATE PLUS YELLOW CHROMATE
2	-	1	CAM	POWDER METAL STEEL	ZINC PLATE PLUS BRIGHT CHROMATE
1	-	1	HOUSING	1008-1010 STEEL	ZINC PLATE PLUS YELLOW CHROMATE
-	R5-0074-08	-	ASSEMBLY	-	-
5	-	1	PIN	410 STAINLESS STEEL	PASSIVATED
4	-	4	HOOKS	4130 STEEL, HARDENED	ZINC PLATE PLUS BRIGHT CHROMATE
3	-	1	TRIGGER	1020 STEEL	ZINC PLATE PLUS BRIGHT CHROMATE
2	-	1	CAM	POWDER METAL STEEL	ZINC PLATE PLUS BRIGHT CHROMATE
1	-	1	HOUSING	1008-1010 STEEL	ZINC PLATE PLUS BRIGHT CHROMATE
-	R5-0074-07	-	ASSEMBLY	-	-
5	-	1	PIN	410 STAINLESS STEEL	PASSIVATED
4	-	4	HOOKS	4130 STEEL, HARDENED	ZINC PLATE PLUS BRIGHT CHROMATE
3	-	1	TRIGGER	1020 STEEL	ZINC PLATE PLUS BRIGHT CHROMATE
2	-	1	CAM	POWDER METAL STEEL	ZINC PLATE PLUS BRIGHT CHROMATE
1	-	1	HOUSING	1008-1010 STEEL	ZINC PLATE PLUS BRIGHT CHROMATE
-	R5-0074-00	-	ASSEMBLY	-	-
S. No.	SOUTHCO PART NUMBER	QTY	TYPE OF COMPONENT	MATERIAL	FINISH

NOTES:-

1. THE TRIGGER MUST BE ACTIVATED TO THE *OPEN* POSITION BEFORE ATTEMPTING TO ACTUATE THE LATCH. THIS ACCOMPLISHED BY ROTATING THE HOOK BACK INTO THE HOUSING UNTIL IT STOPS, THEN APPLYING ADDITIONAL TORQUE TO ACTIVATE THE TRIGGER. IF THE TRIGGER IS NOT IN THE *OPEN* POSITION PRIOR TO CONTACT WITH THE PIN, THE LATCH WILL NOT FUNCTION PROPERLY.

ALLEGIS	1-866-378-7550
MATERIAL: Steel	DRAWING NO. : R5-0074-08
FINISH: Zinc Plate, yellow chromate	
REV.: 1:1	DATE: 5/30/2019