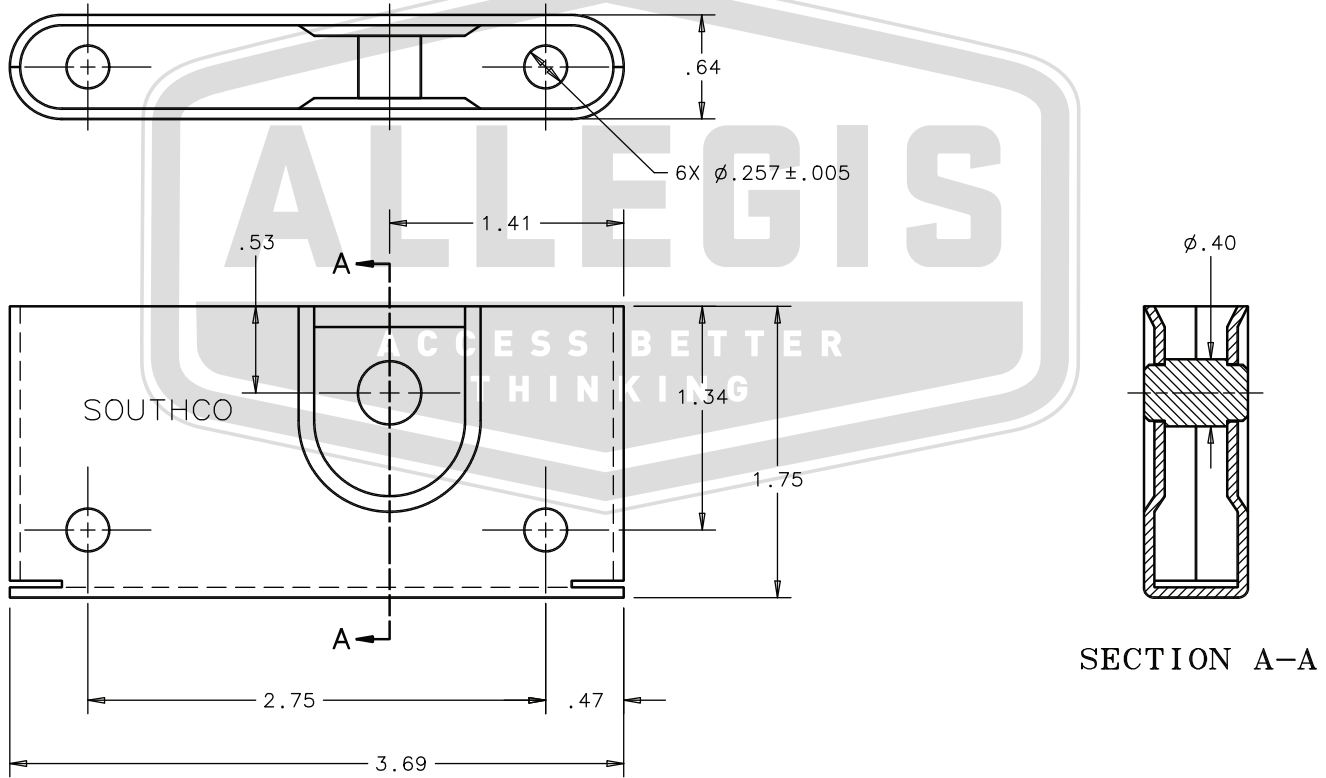


APPROVAL - CUSTOMER NAME & SIGNATURE	DATE

REV	DATE	DRAWN/CHKD	DESCRIPTION	PART NUMBER	MATERIAL	FINISH
A	14MAR96	CHW	PRN: R5-07	R5-0079-XX	CARBON STEEL	SEE TABLE
B	07JUL2000	JHS	PRN: R5-30			
C	08MAY2003	AJH/MJS	PRN: P2003-0347			
D	02NOV2005	AAB/RLR	PRN: P2005-1562			
E	13APR2006	AJH/RLR	PRN: P2006-0569			
F	03JUL2006	RLR/MJS	PRN: P2006-0872			
G	05JUL2011	ACH/MSR	PRN: P2011-0864			

XX	FINISH
07	ZINC PLATED, CHROMATE DIP (RoHS COMPLIANT)
08	ZINC PLATED, YELLOW CHROMATE DIP
27	STAINLESS STEEL, PASSIVATE
77	ZINC NICKEL ALLOY, YELLOW CHROMATE DIP
94	ZINC PLATE, CHROMATE DIP PLUS SEALER (RoHS COMPLIANT)



ALLEGIS	1-866-378-7550
MATERIAL: Steel	DRAWING NO. : R5-0079-08
FINISH: Zinc Plate, yellow chromate	
REV.: 1:1	DATE: 5/30/2019