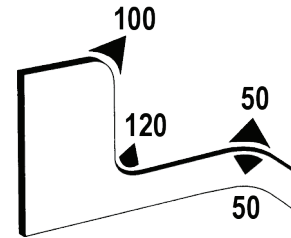
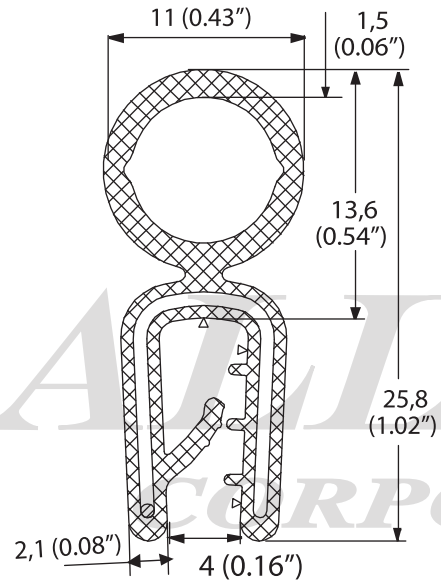




ALLEGRIS
CORPORATION



Bend Radius

www.ALLEGISCORP.com
1-866-378-7550

MATERIAL / FINISH :

EPDM soft rubber carrier & bulb

REV. :

1 : 1

DATE :

1-10-2013

DESCRIPTION :

Sealing Profile

DRAWING NO. :

S4132