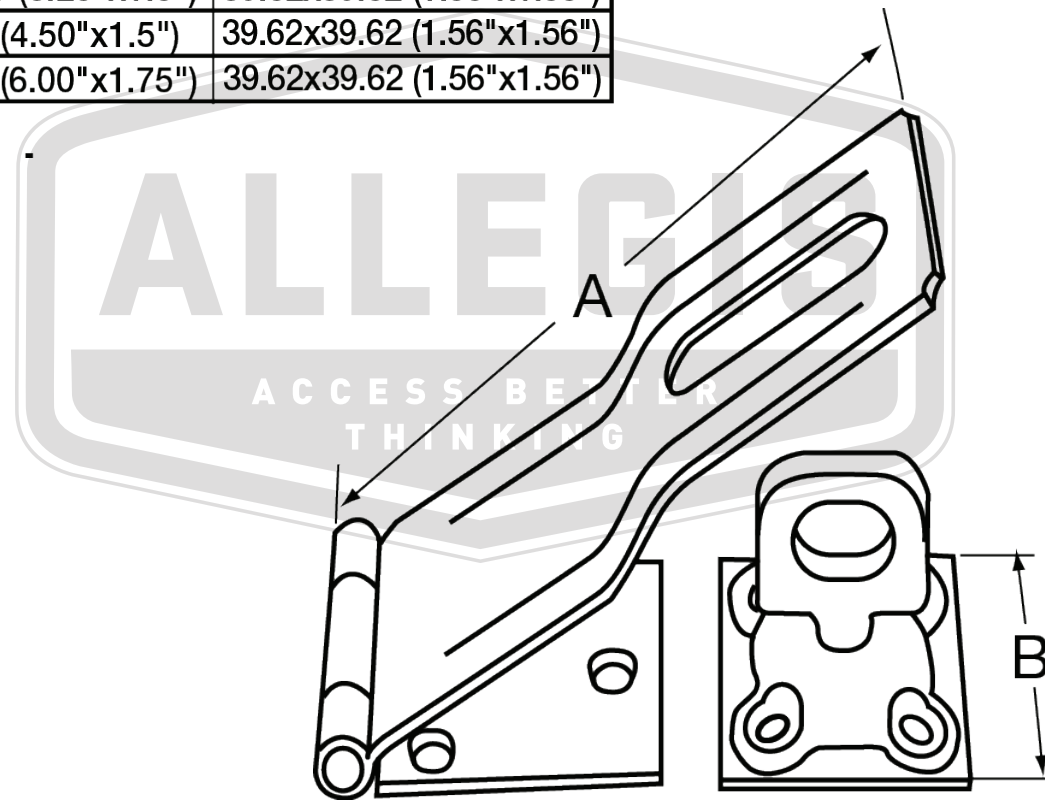


APPROVAL - CUSTOMER NAME & SIGNATURE

DATE

Part Number	A	B
SCV 32 4 1/2	114.3 (4.5")	38.10 (1.5")
Part Number	Length and Width or Strap and Joint	Size of Staple
SCV 32 3 1/4	82.55x38.1 (3.25"x1.5")	39.62x39.62 (1.56"x1.56")
SCV 32 4 1/2	114.3x38.1 (4.50"x1.5")	39.62x39.62 (1.56"x1.56")
SCV 32 6 *	152.4x44.45 (6.00"x1.75")	39.62x39.62 (1.56"x1.56")



ALLEGIS	1-866-378-7550
MATERIAL: Plain Steel	DRAWING NO. : SCV 32X
FINISH:	
REV.: 1:1	DATE: 6/17/2019