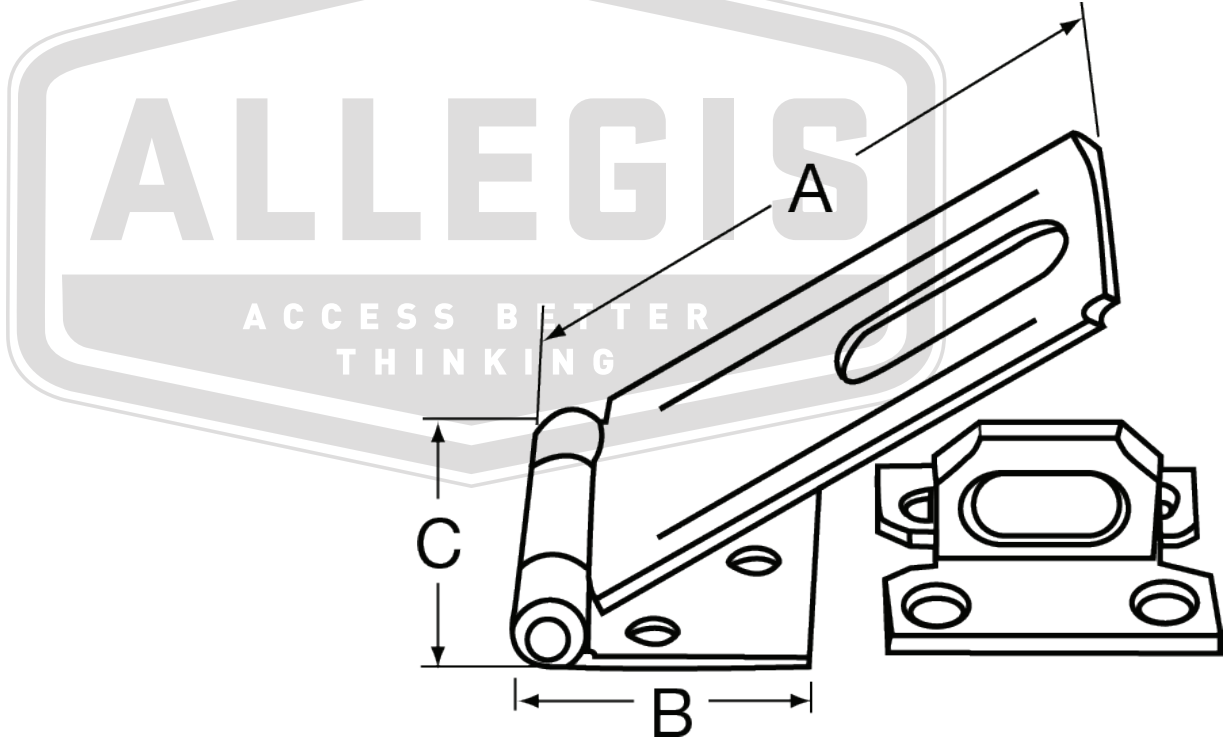


APPROVAL - CUSTOMER NAME & SIGNATURE	DATE

Part Number		A	B	C	Gauge	Staple Size	Staple Projection
<i>SPV 30 2 1/2 PL</i>	<i>SPV 30 2 1/2 ZN</i>	63.50(2.5")	28.57 (1.125")	25.40(1")	1.70 (.067")	28.57 x 25.4 (1.125" x 1")	14.80 (.583")
<i>SPV 30 6 PL</i>	<i>SPV 30 6 ZN</i>	152.4 (6")	69.85 (2.75")	44.45 (1.75")	2.26 (.089")	44.45 x 34.92 (1.75" x 1.375")	22.22 (.875")
<i>Available Upon Request</i> Part Number		A	B	C	Gauge	Staple Size	Staple Projection
<i>SPV 30 3 1/4 PL</i>	<i>SPV 30 3 1/4 ZN</i>	82.55 (3.25")	31.75 (1.25")	38.10 (1.5")	2.03 (.080")	38.10 x 28.57 (1.5" x 1.125")	19.05 (.75")
<i>SPV 30 4 1/2 PL</i>	<i>SPV 30 4 1/2 ZN</i>	114.3 (4.5")	50.80 (2")	38.10 (1.5")	2.03 (.080")	44.45 x 34.92 (1.75" x 1.375")	19.05 (.75")



ALLEGIS	1-866-378-7550
MATERIAL: Plain Steel or Zinc	DRAWING NO. : SPV 30X
FINISH:	
REV.: 1:1	DATE: 6/17/2019