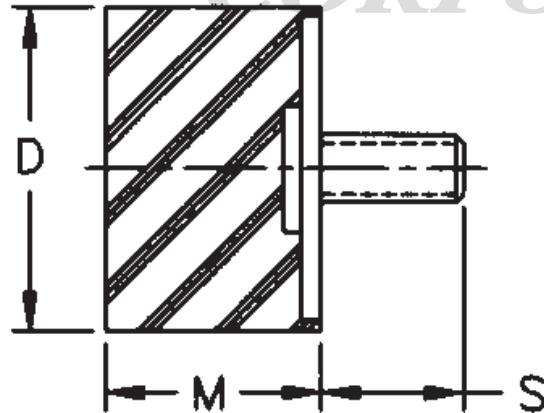


Style S (1/4 - 20)

Part No.	D	M	1/4-20 x S	Max. Shear (lbs.)	Max. Comp. (lbs.)
51494*	3/4	1/2	3/4	-	30
51138	1	17/32	3/8	-	40
51139	1	17/32	3/8	-	70
51140	1	17/32	3/8	-	100
51581	1	41/64	1/2	-	35
51185	1	3/4	1/2	-	44
51187	1	3/4	1/2	-	55
51191*	1	3/4	7/8	-	55
50783*	1	27/32	3/4	-	50
51195*	1	1	1/2	-	50
51196	1	1	3/8	-	70
51197	1	1	1/4	-	70
50889*	1	1	3/4	-	70
50828*	1 1/4	3/4	5/8	-	120
51176*	1 1/4	1	1/4	-	70

Standard elastomer is Natural Rubber, (*) indicates Neoprene



www.ALLEGISCORP.com
1-866-378-7550

MATERIAL / FINISH :
 Natural Rubber or ((*)) Neoprene
 w/ corrosion resistant zinc plated inserts

REV. :
 1 : 1

DATE :
 1-10-2013

DESCRIPTION :
 Stud / Plate Mounts

DRAWING NO. :
 51494 - 51176