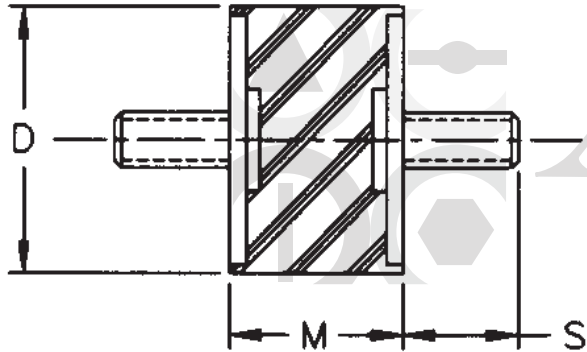


Style SS (1/2 - 13)



Part No.	D	M	1/2-13 x S	Max. Shear (lbs.)	Max. Comp. (lbs.)
51385	1 ¼	1 ¼	3/4	29	76
51387*	1 ¼	1 ¼	3/4	63	120
51410*	2	1 11/16	1 ½	60	160
51411*	2	1 11/16	1 ½	80	200
51412*	2	1 11/16	1 ½	125	260
51413*	2	1 11/16	1 ½	175	335
51414*	2	1 11/16	1 ½	210	400
51552-1*	3 ⅝	1 ½	1 ⅝	90	360
51552-2*	3 ⅝	1 ½	1 ⅝	120	540
51552-3*	3 ⅝	1 ½	1 ⅝	155	760
51552-4*	3 ⅝	1 ½	1 ⅝	225	980
51552-5*	3 ⅝	1 ½	1 ⅝	295	1815
51556-1*	3 ⅝	3	1 ⅝	38	250
51556-2*	3 ⅝	3	1 ⅝	65	410
51556-3*	3 ⅝	3	1 ⅝	105	690
51556-4*	3 ⅝	3	1 ⅝	140	910
51556-5*	3 ⅝	3	1 ⅝	185	1190

Part No.	D	M	1/2-13 x S	Max. Shear (lbs.)	Max. Comp. (lbs.)
50121*	1 ¼	3/4	3/4	-	90
50122*	1 ¼	3/4	3/4	-	150

Standard elastomer is Natural Rubber, (*) indicates Neoprene

<p>www.ALLEGISCORP.com 1-866-378-7550</p>		<p>MATERIAL / FINISH : Natural Rubber ((*)) indicates Neoprene w/ corrosion resistant zinc plated inserts</p>	
<p>REV. : 1 : 1</p>	<p>DATE : 1-10-2013</p>	<p>DESCRIPTION : Stud / Plate Mounts</p>	<p>DRAWING NO. : See Chart</p>