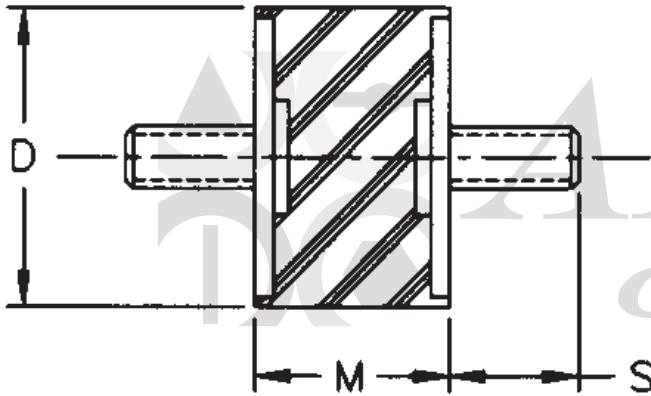


## Style SS (1/4 - 20)



Part No.	D	M	1/4-20 x S	Max. Shear (lbs.)	Max. Comp. (lbs.)
50820*	3/4	1/2	1/2	12	28
50859*	1	3/8	1/2	30	60
51123*	1	17/32	1/2	30	45
51127	1	17/32	3/8	30	45
51128	1	17/32	3/8	34	70
51130	1	17/32	1/2 - 1/4	32	45
51131	1	17/32	1/2	15	44
51132	1	17/32	1/2	30	45
51133	1	17/32	1/2	34	70
50965*	1	1/2	1/2	35	70
51154*	1	3/4	3/8	21	55
51186*	1	3/4	3/8	25	60
51141	1	3/4	1/2	15	44
51142	1	3/4	1/2	18	50
51143	1	3/4	1/2	21	55
51144*	1	3/4	1/2	18	50
51146*	1	3/4	1/2	21	55
50855*	1	3/4	1/2	25	60
51173*	1	3/4	1/2	15	44
51147	1	3/4	5/8	18	50
51148*	1	3/4	5/8	25	60
51150*	1	3/4	3/4	15	44
51152	1	3/4	3/4	21	55
51153*	1	3/4	3/4	21	55
51158	1	3/4	3/4	18	50
51160*	1	3/4	3/4	25	60
51155*	1	3/4	1/4 - 5/8	25	60
51289	1	3/4	3/8 - 1/2	30	70
51157*	1	3/4	1/2 - 3/4	25	60
50888*	1	3/4	1/2 - 3/4	21	55
51184*	1	3/4	1/2 - 3/4	15	44
51159	1	3/4	1/2 - 1	30	70
51164*	1	1	1/2	12	35
51290*	1 1/8	1 1/2	5/8	10	20
50773	1 1/4	1 1/4	5/8	30	80

Standard elastomer is Natural Rubber, (\*) indicates Neoprene  
Standard inserts are zinc plated

[www.ALLEGISCORP.com](http://www.ALLEGISCORP.com)  
**1-866-378-7550**

MATERIAL / FINISH :  
Natural Rubber or ((\*)) Neoprene  
w/ corrosion resistant zinc plated inserts

REV. :

1 : 1

DATE :

1-10-2013

DESCRIPTION :

Stud / Plate Mounts

DRAWING NO. :

50820 - 50773