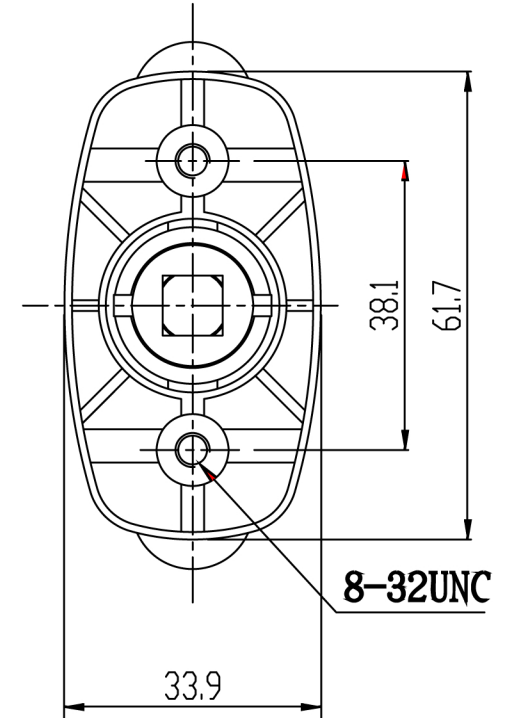
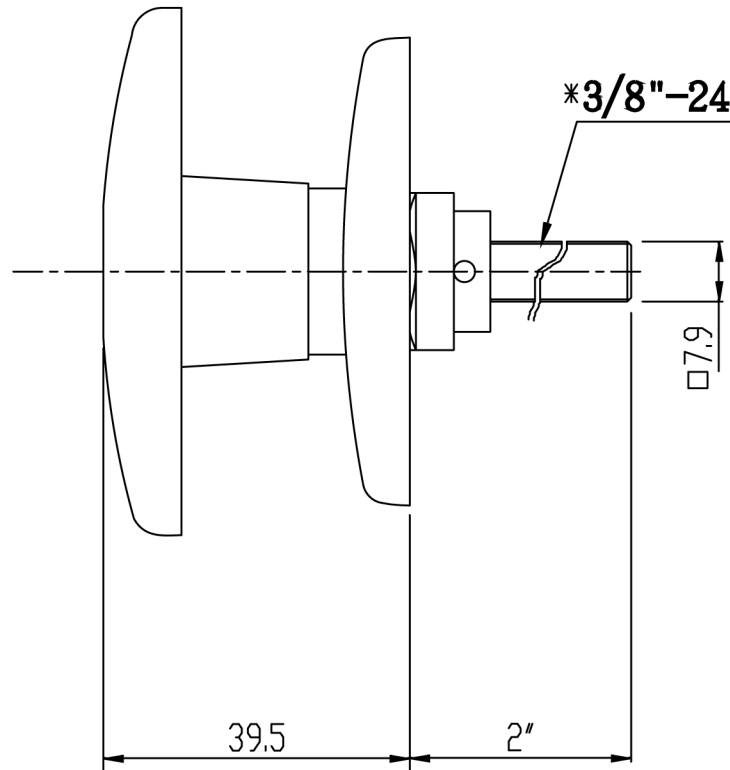
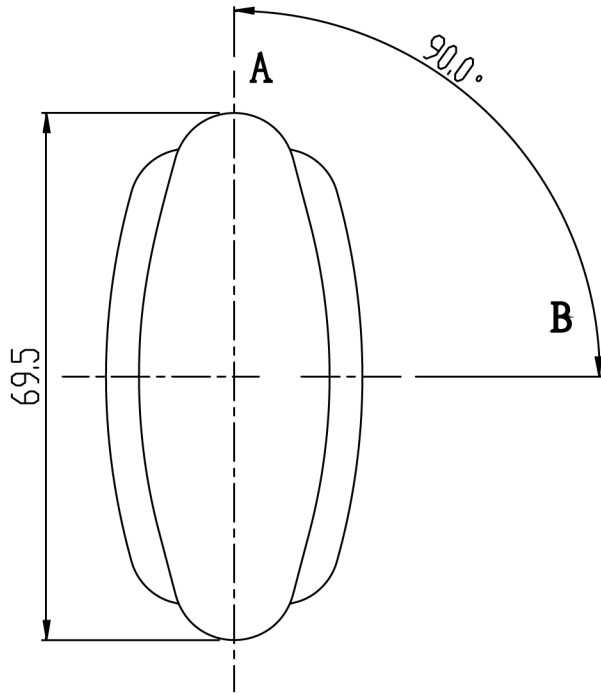
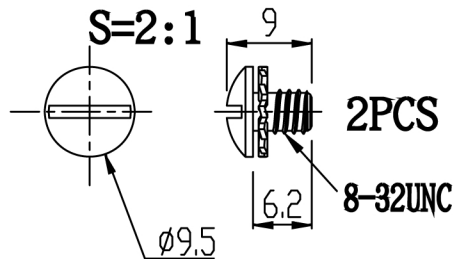


APPROVAL - CUSTOMER NAME & SIGNATURE

DATE



FASTENERS NOT INCLUDED



MATERIAL: Zinc die-cast	DRAWING NO. : T304 CW
FINISH: Satin Chrome	
REV. : 1 : 1	DATE: 9-26-2009

Key-Locking T-Handle

- 90 degree clockwise (CW)