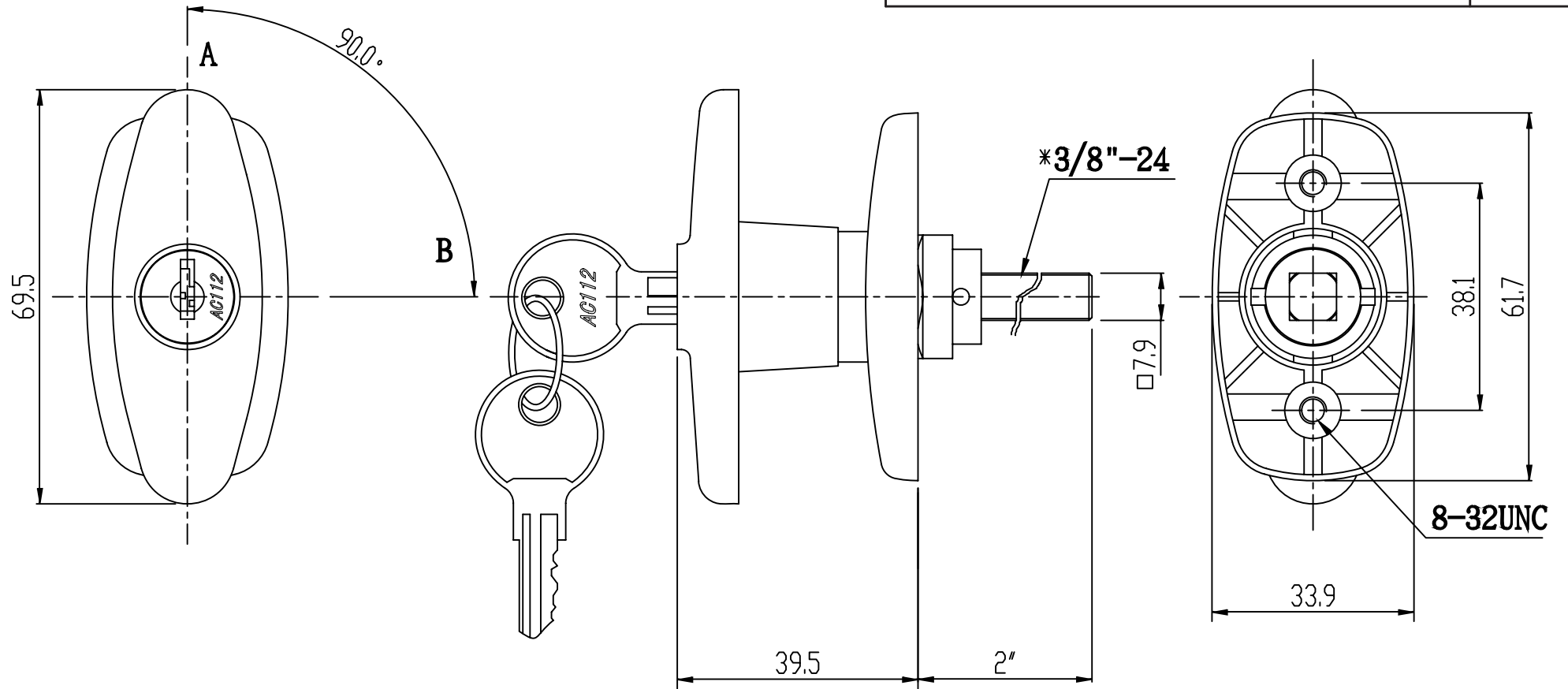
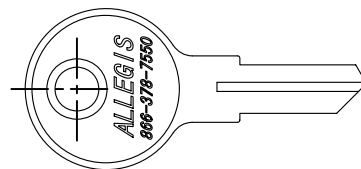
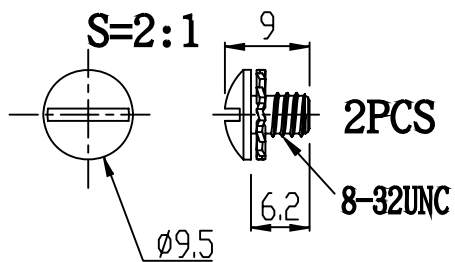


APPROVAL - CUSTOMER NAME & SIGNATURE

DATE



FASTENERS NOT INCLUDED



		<h3>Key-Locking T-Handle</h3> <ul style="list-style-type: none"> - 90 degree clockwise (CW) - Keyed Alike (AC112)
MATERIAL: Zinc die-cast	DRAWING NO. : T305 CW AC112	
REV. : 1 : 1	DATE: 9-26-2009	