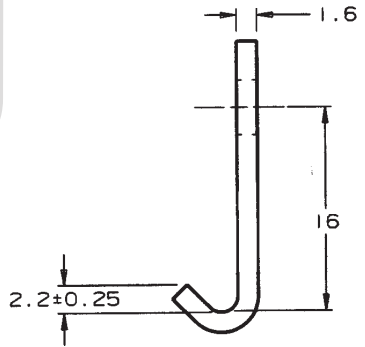
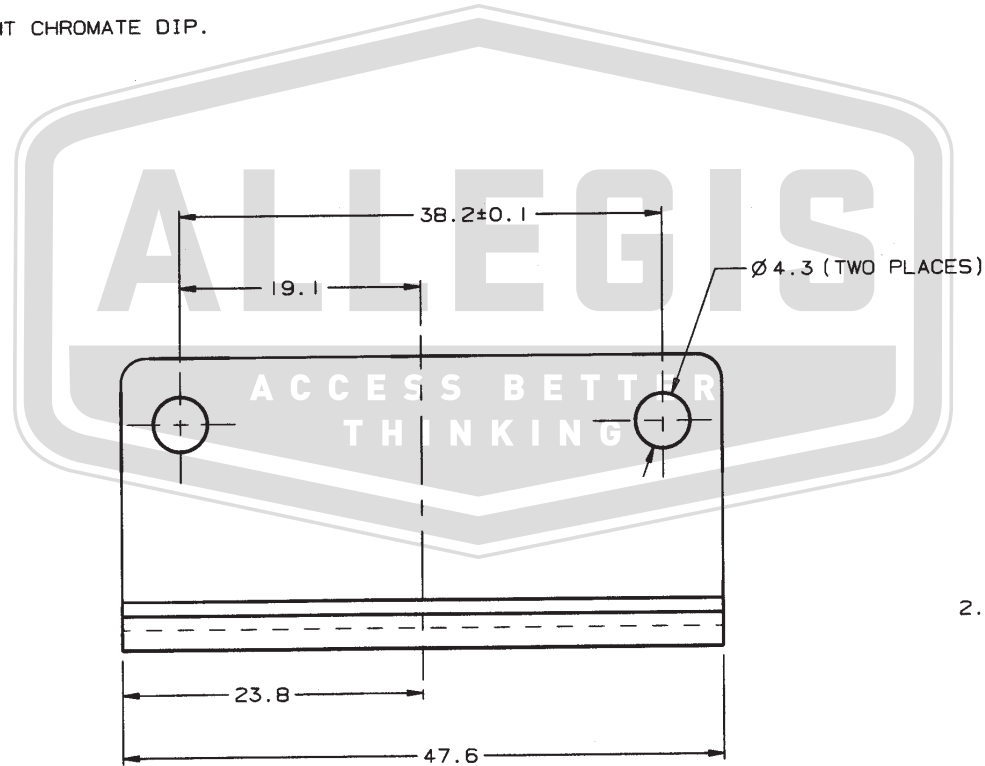


| | |
|--------------------------------------|------|
| APPROVAL - CUSTOMER NAME & SIGNATURE | DATE |
| | |

| REV. | DATE | BY-CHKD | REVISIONS | NUMBER | MATERIAL | FINISH |
|------|------|---------|-----------|------------|-----------------|------------|
| | | | | V4-0009-02 | CARBON STEEL | SEE NOTE A |
| | | | | V4-0009-52 | STAINLESS STEEL | NATURAL |
| | | | | | | |
| | | | | | | |
| | | | | | | |

ZINC PLATE, BRIGHT CHROMATE DIP.



| | |
|--|-----------------------------|
| ALLEGIS | 1-866-378-7550 |
| MATERIAL: Steel | DRAWING NO. : V4-0009-02 |
| FINISH: Zinc Plate, bright chromate | |
| REV. : 1:1 | DATE: 5/30/2019 |