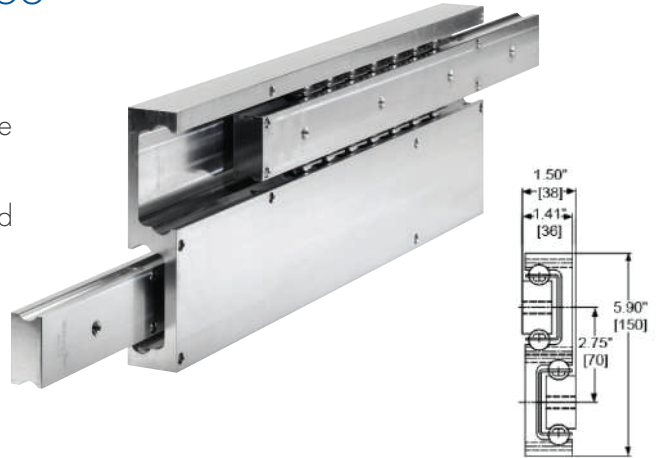


## Aluminum Super Heavy-Duty Slides

AL4140 | AL4120 | AL4160 | AL4165

When machines need movement to go that extra mile in performance, Accuride super heavy-duty slides have you covered. Accuride AL-Series movement solutions use robust, corrosion-resistant, and performance-tested components built to work in the harshest industrial environments.



### AL4140

- Supports loads up to 1,350 lbs.
- Uses full-extension design
- Available in four-inch lengths from 16 to 48 in.

**AL4140**

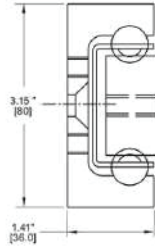


# Aluminum Super Heavy-Duty Slides

AL4140 | AL4120 | AL4160 | AL4165

## AL4120:

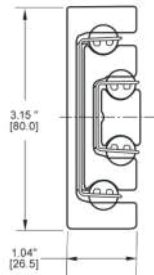
- Supports loads up to 1,200 lbs.
- Uses ¾-extension design
- Available in four-inch lengths from 16 to 48 in.



AL4120

## AL4160:

- Supports loads up to 650 lbs.
- Uses full-extension design
- Available in even lengths 12-28, 32, 36, and 40 in.

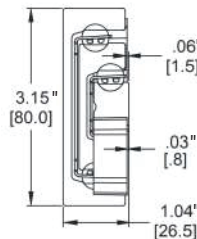


AL4160

## AL4165

**NEW**

- Full-extension (two-way) design
- Supports loads up to 600 lbs.
- Available in four-inch lengths from 16 to 40 in.



AL4165

**NEW**



Authorized Distributor

**Accuride**

12311 Shoemaker Avenue  
 Santa Fe Springs, CA 90670  
 562.903.0200 • fax: 562.903.0208  
 www.accuride.com



Accuride printed materials are printed with soy-based inks. Printed on paper that contains recycled materials and conforms to the latest sustainable arboriculture guidelines.

Follow us:

